



## Shock Absorbers



# Shock Absorbers

Technical information	
Stroke	6 - 8 - 15 -20 mm
Medium	Air
Temperature range	-10°C ... +70°C
	Below 0°C air has to be dried.
Versions	SH, SH C

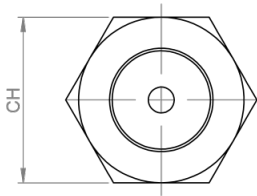
Materials	
Body	Anodized aluminum
Heads	Anodized aluminum
Piston	Aluminum
Piston rod	Stainless steel
Guide bushing	Iglidur® D
Seals	NBR

S	H	8	/	6	C
		10	/	8	<b>OPTIONS</b>
		14	/	15	C Including cap
		20	/	20	

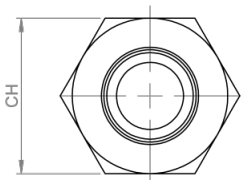
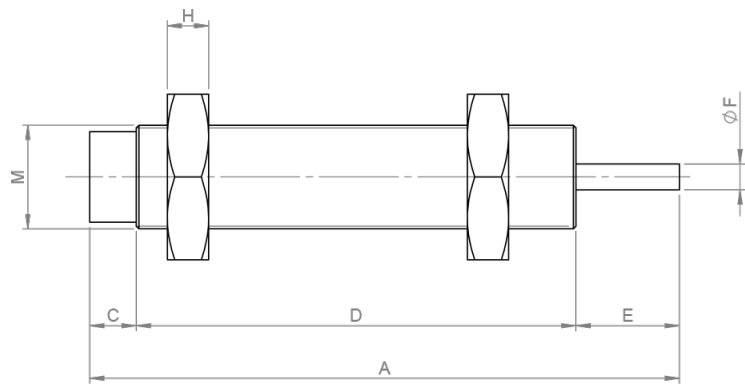


# SH/SH C

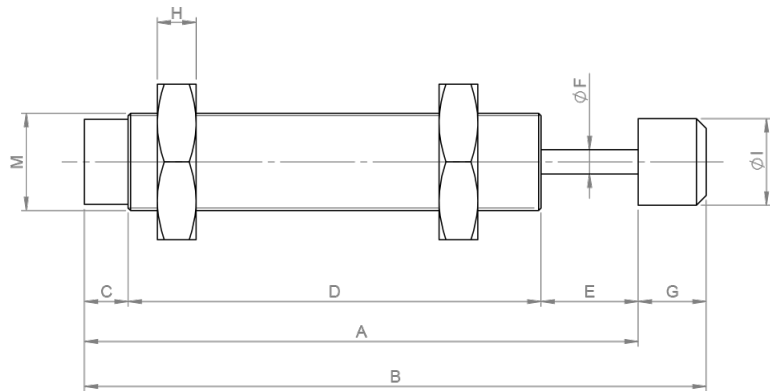
page 100



SH



SHC



Stroke	M	Max. impact speed	A	B	C	D	E	F	G	I	CH	H
6 mm	M8x1	1,2 m/s	46,5	55	5	35,5	6	2,8	8,5	6,5	11	3
8 mm	M10x1	1,5 m/s	53,5	62	5	40,5	8	3	8,5	8,5	13	3
15 mm	M14x1,5	1,5 m/s	90	102	8	67	15	3,5	12	12,2	19	6
20 mm	M20x1,5	2 m/s	114	128	9	85	20	5	14	17,8	26	8

